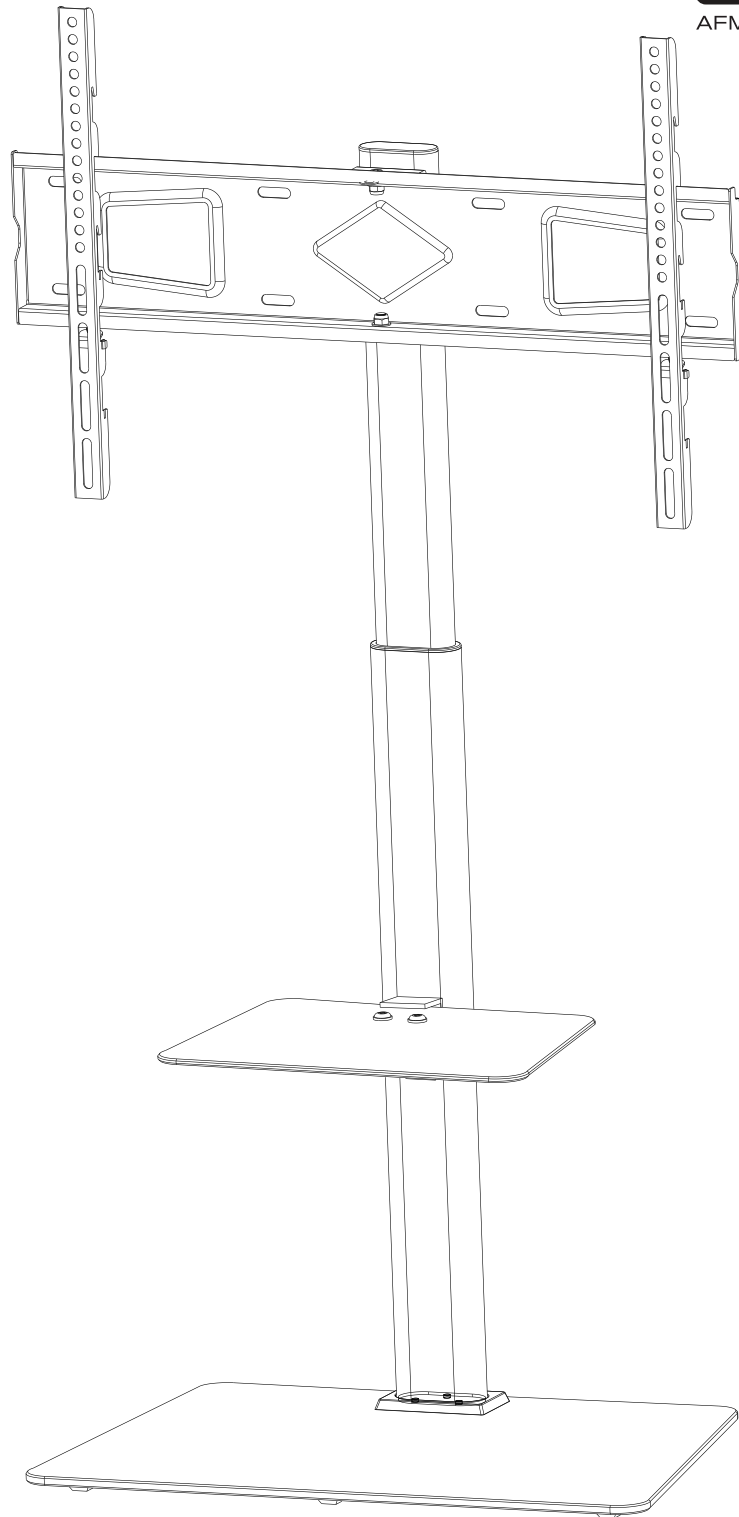


1

PRO MOUNTS
AFMSS6402-02 **STANDS**



100x100 100x400
100x200 200x400
200x200 300x400
200x300 400x400
300x300 400x600



CAUTION: DO NOT EXCEED
RATED LISTED WEIGHT. SERIOUS
INJURY OR PROPERTY DAMAGE
MAY OCCUR!

AFMSS6402-02

PART LIST



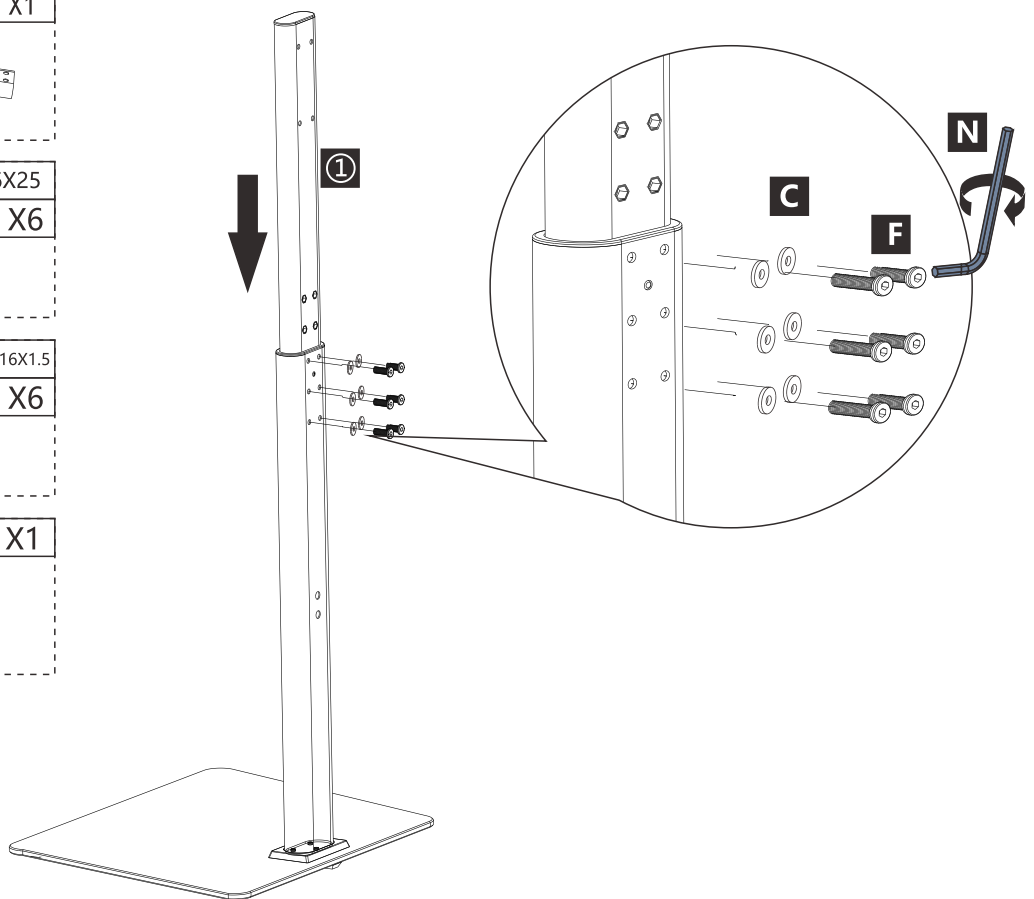
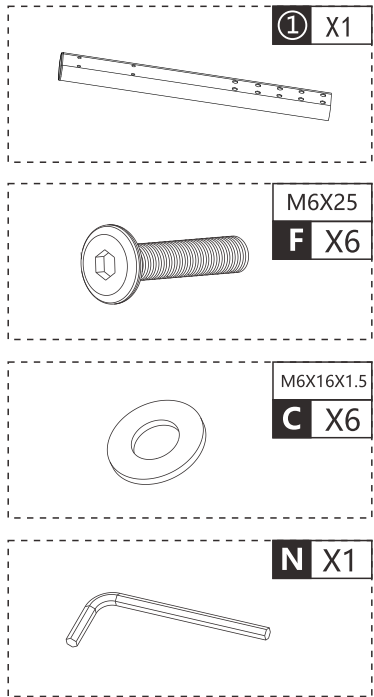
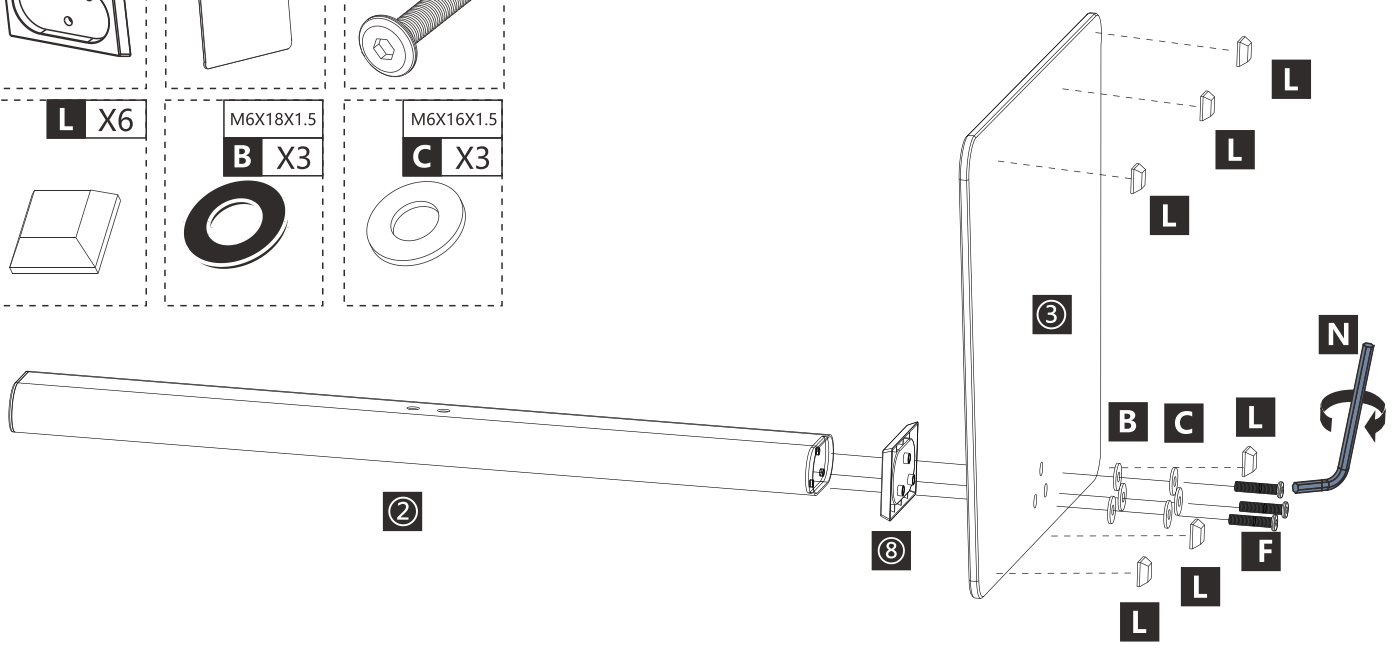
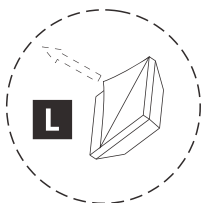
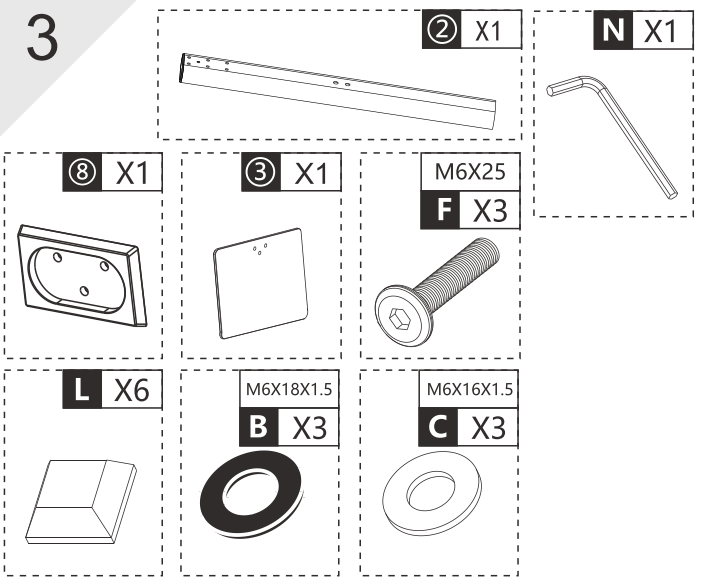
	1 X1
	2 X1
	3 X1
	4 X1
	5 X1
	6 X2
	7 X1
	8 X1

	M6X40 A X4		M8X16X2 H X2
	M6X18X1.5 B X7		I X2
	M6X16X1.5 C X13		J X2
	M8X50 D X2		K X2
	M8X16X1 E X2		L X6
	M6X25 F X9		M X1 M5
	M8X16 G X2		N X1 M4

FOR TV INSTALLATION

M4X30 TV1 X4	M6X16 TV2 X4	M6X35 TV3 X4	M8X15 TV4 X4	M8X35 TV5 X4
M8X50 TV6 X4	2.5mm TV7 X8	10mm TV8 X4	22mm TV9 X4	Washer with 3 holes TV10 X4

3



4

⑦ X1



④ X1

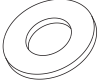


NOT INCLUDED



M8X16X1

E X2

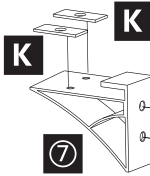
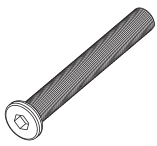


K X2



M8X50

D X2

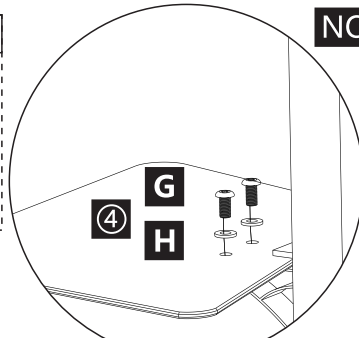


⑦

M X1



E D



④ G H

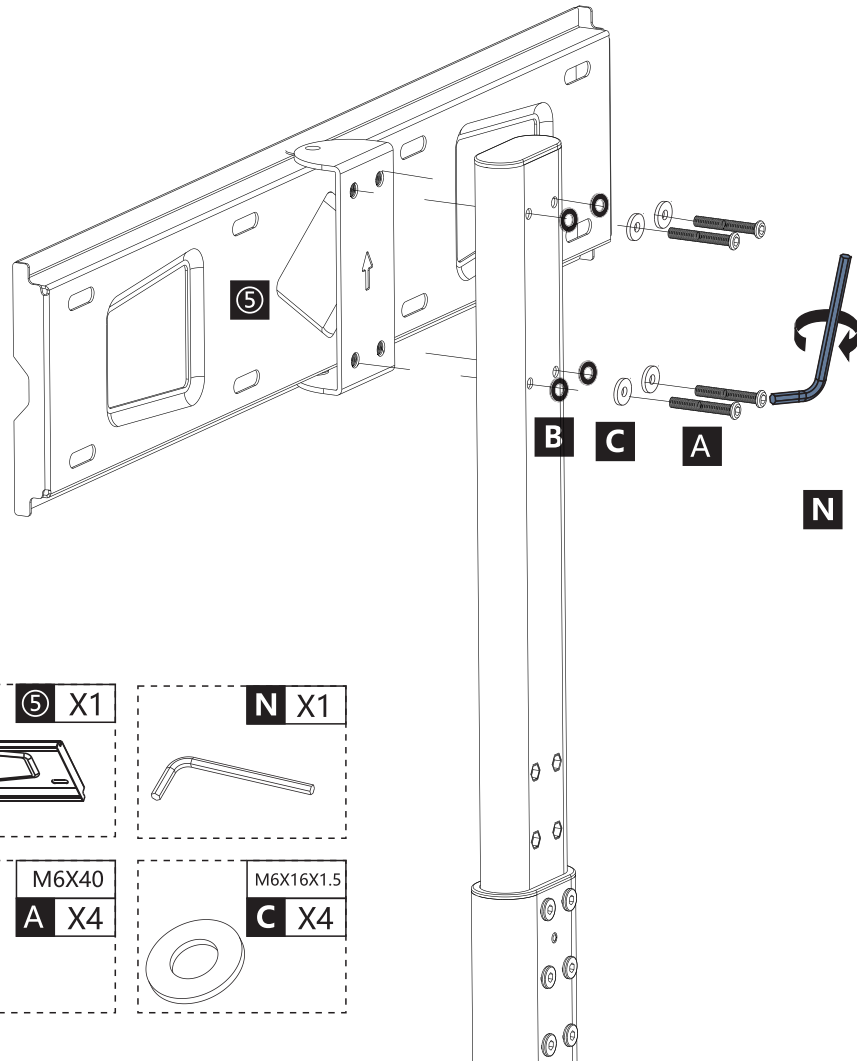
M8X16X2

H X2



M8X16

G X2



⑤

B C A

N

M6X18X1.5

B X4



⑤ X1

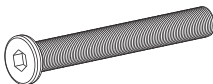


N X1



M6X40

A X4



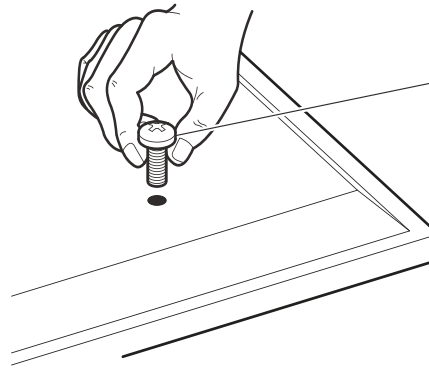
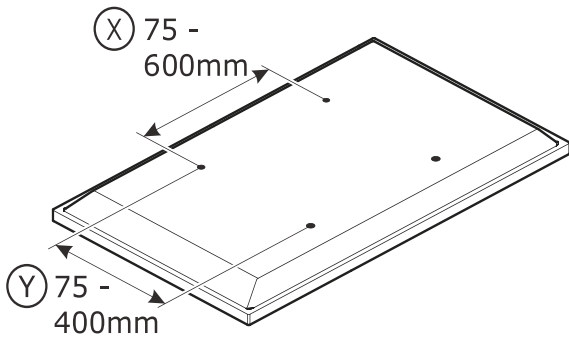
M6X16X1.5

C X4



5

Measure the TV fixing holes Width and Height



- TV1
- TV2-3
- TV4-6

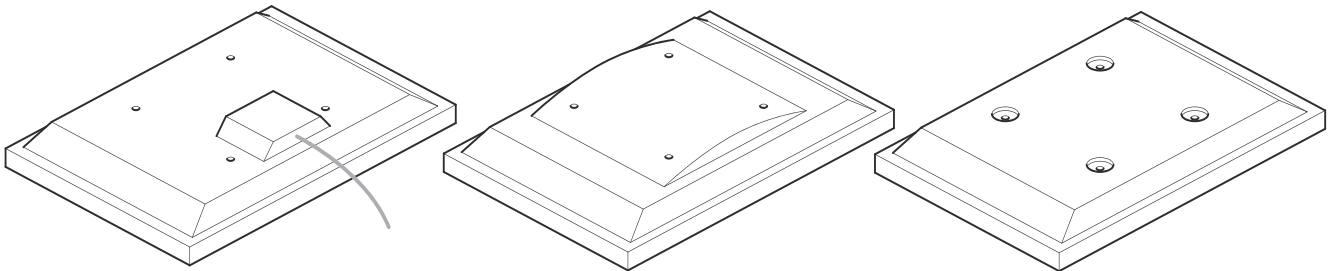
If width (X) is greater than 600mm or height (Y) greater than 400mm STOP installation now and contact the customer help line

You are provided with 4 diameters of TV fixing screws, **M4**, **M6** and **M8**. Determine the screw diameter that fits.

Spacers

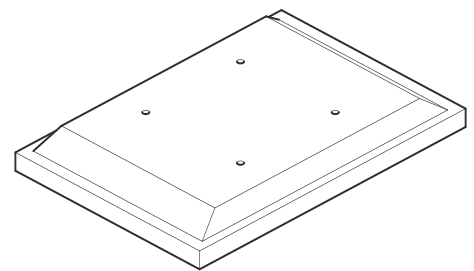
SP

For TVs with irregular/obstructed back



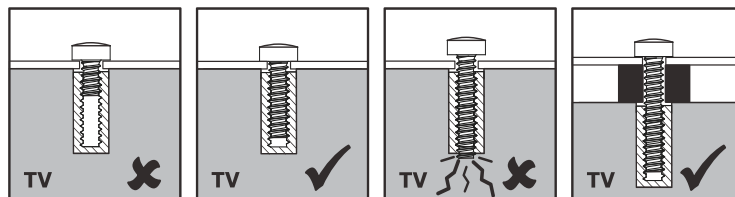
No Spacers

For TVs with flat/unobstructed back

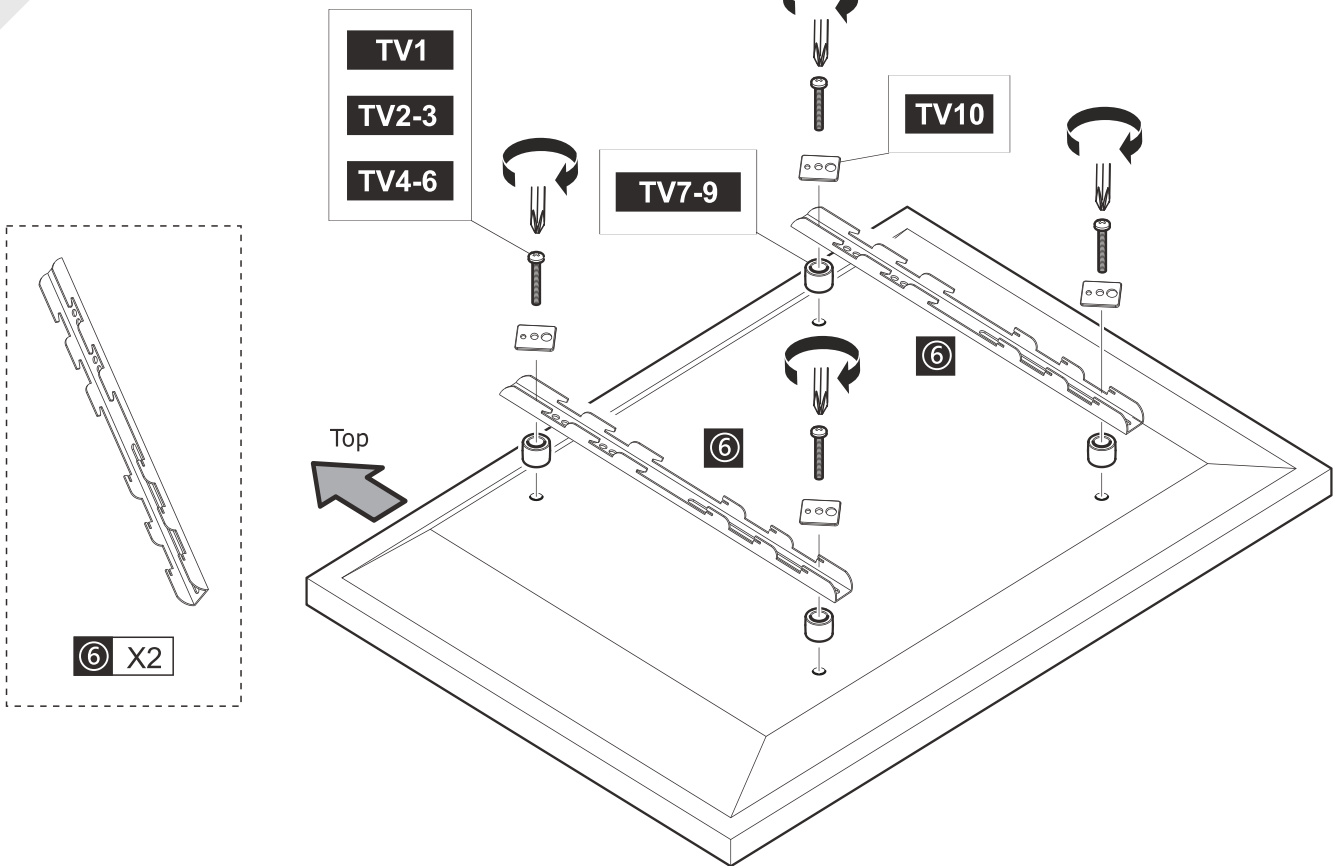


WARNING

please keep for future reference.



NOT INCLUDED 



 M4
TV1 X4

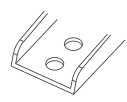
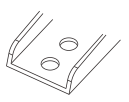
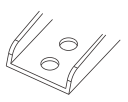
 M6
TV2-3 X4


 M8
TV4-6 X4

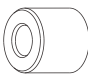
 Washer with 3 holes
TV10 X4


 Washer with 3 holes
TV10 X4


 Washer with 3 holes
TV10 X4

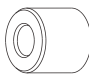


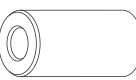
 2.5mm
TV7 X8


 10mm
TV8 X4

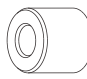
 22mm
TV9 X4

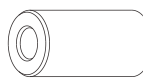
 2.5mm
TV7 X8

 10mm
TV8 X4

 22mm
TV9 X4

 2.5mm
TV7 X8

 10mm
TV8 X4

 22mm
TV9 X4

Attach the bracket to the back of your TV using suitable screw, reducer and spacer combinations.

7

NOT INCLUDED 

